

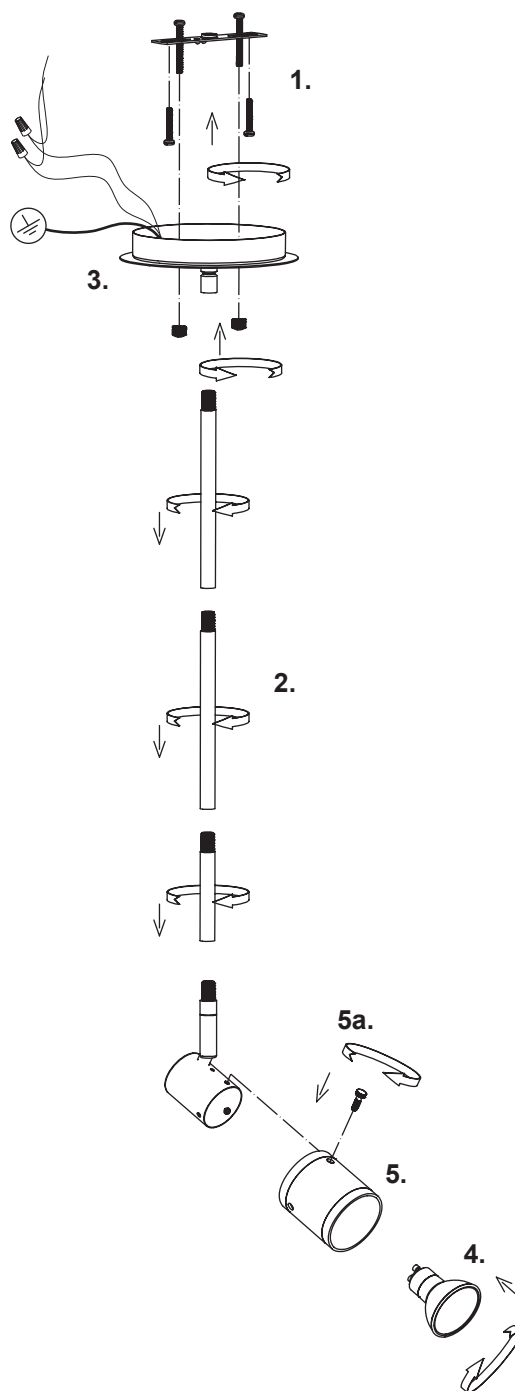
Single lamp monopoint

1. Remove the fixture from its original packaging. Remove the canopy mounting plate from within the canopy and attach it to the electrical junction box on the ceiling using the two screws provided in the hardware package.
2. Select the desired length you would like the fixture to hang down from the ceiling (47 - 1/4" maximum). Assemble the 6", 12", and 18" rods in a combination that comes closest to your predetermined desired length. Assemble the rods by threading the male end of the rods into the female ends of the connecting rods. When all of the rods are connected make sure to feed the wires through the center of the female end of the connected rods until the wires come out the opposite male end. Then attach the rods to the fixture by screwing the female end of the rods into the male connector on the fixture. Now push the wires through the nipple on the canopy and attach the canopy by screwing the male end of the rods into the female connector on the canopy (do not over tighten).
3. Once your fixture is completely together you can now attach the canopy to the mounting plate, which is attached to the electrical junction box on the ceiling. First attach all wiring with the provided marrets (white to white "N", black to black "L", ground to ground "G"). Align the two holes from the canopy to the two screws pointing down from the mounting plate. Push the screws through the canopy plate so they are poking through, once this is complete you can screw on the decorative nuts until tight.
4. Now that your fixture is installed you can install the GU-10 light bulb of the correct wattage.
5. Locate the 3 screws from inside the hardware package. These screws are to hold the glass lamp shade on to the fixture. Take the glass lamp shade and gently guide the light bulb into the center of the shade until one of the holes in the glass lines up with one of the holes in the side of the metal lamp socket head. (5a) Now insert a screw through the hole in the glass and screw it into the hole on the side of the lamp socket head until it is tight (do not over tighten). Please proceed to line up the other two holes in the glass, with the other two holes in the metal lamp socket head, insert the screws, and then screw them in until they are tight (do not over tighten).
6. You have now completed the installation of your fixture, please enjoy.

START FROM HERE

- Make sure power is completely off at the fuse box.
- Have your fixture installed by a qualified licensed electrician
- Prepare everything in clear area.
- Wear gloves at all times during this installation.
- Read instructions carefully before you start assembly.
- Keep this instruction sheet for future reference.

Technical Support: 1-877-452-6858



KUZCO
LIGHTING

19054 28th Avenue Surrey, BC Canada V3S 6M3
T: 604 538 7162 TF: 1-855 85 KUZCO F: 604 538 7196
W: kuzcolighting.com